

AR Series Air Release Valves



PVC

SERIES: AR

SIZES: 1/2" – 3"

ENDS: Socket, Threaded or Flanged

SEALS: EPDM, FPM (Viton®)



The Chemline **AR Series** Air Release Valve allow gases to escape from **unpressurized** pipe lines. It must be installed vertically at the highest point in the piping system with the "Air" arrow up. As the unpressurized air vents, liquid rises to the float, which lifts the float up against the seat, holding liquid pressure. The float will not release until the pressure on the inlet side of the valve drops to the outlet pressure of the valve (normally atmospheric).

Features

Full Size Range

- 1/2" to 3"

Large Flow Capacities

- Valves have full port liquid capacities, so for air flow they may be chosen several sizes smaller than the liquid pipeline

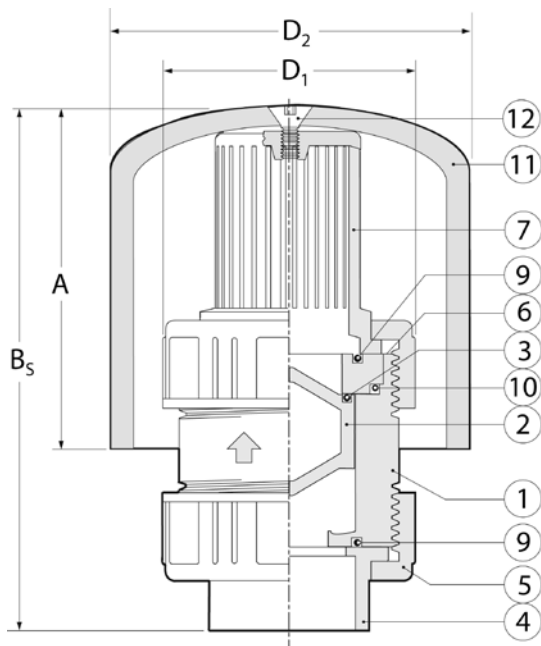
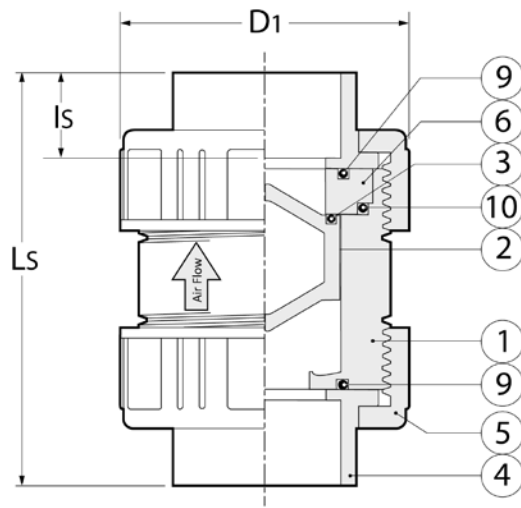
Outlet Cap Available

- For non-hazardous fluids, the optional removeable PE outlet cap prevents tampering with the union nut. Eliminates possible splashing during quick closure and covers the open end.
- For hazardous fluids, a 3 foot pipe should be installed on the outlet side or the outlet should be piped to a containment area



With Outlet Cap

AR Series Air Release Valves



With Outlet Cap

Valves shown in closed position

PARTS

▲ Recommended Spare Parts

No.	Part	Pcs.	Materials
1	Body	1	PVC
2	Float	1	PVC
3▲	Seat O-Ring	1	EPDM, FPM (Viton®)
4	End Connector	2	PVC
5	Union Nut	2	PVC
6	Seat Carrier	1	PVC
7	Foot Valve Screen	1	PP
9▲	Face O-Ring	2	EPDM, FPM (Viton®)
10▲	Carrier O-Ring	1	EPDM, FPM (Viton®)
11	Outlet Cap	1	PE
12	Countersunk Bolt	1	304 SS

WORKING PRESSURES PSI

Size	20°C 68°F	30°C 94°F	40°C 105°F	50°C 120°F	60°C 140°F
1/2" – 2"	150	150	150	90	35
2-1/2" – 3"	150	120	90	45	15

Maximum Temperature: 60°C (140°F)

ORDERING EXAMPLE

Chemline Air Release Valves	AR	A	020	E	S
Body Material	A – PVC				
Size	005 – 1/2" 010 – 1" 015 – 1-1/2" 025 – 2-1/2"	007 – 3/4" 012 – 1-1/4" 020 – 2" 030 – 3"			
Seals	E – EPDM V – FPM (Viton®)				
Ends	S – Socket T – Threaded F – Flanged				

Example: Chemline Type AR Air Release Valve, PVC, 2", with EPDM seals, socket ends.

DIMENSIONS INCHES

Size	A	D ₁	D ₂	Socket			Threaded			Without Cap	With Cap	Cv	psi
				L _S	B _S	I _S	L _T	B _T	I _T				
1/2"	3.27	1.97	2.48	3.54	4.88	0.89	3.08	4.61	0.59	0.17	0.34	5	0.04
3/4"	3.58	2.32	2.95	3.98	5.43	1.00	3.58	5.43	0.75	0.26	0.51	8	0.04
1"	4.21	2.68	3.54	4.38	6.10	1.13	4.17	6.10	0.86	0.39	0.81	13	0.04
1-1/4"	4.88	3.15	4.33	5.04	6.85	1.26	4.76	6.77	0.98	0.57	1.35	23	0.07
1-1/2"	5.37	3.70	4.92	5.67	7.99	1.38	5.63	7.60	1.19	0.88	1.85	39	0.07
2"	5.67	4.53	5.51	6.51	9.06	1.50	6.65	8.66	1.47	1.54	2.85	66	0.07
2-1/2"	7.15	5.71	7.87	7.72	12.40	1.75	8.96	11.89	1.74	4.96	8.33	136	0.16
3"	7.15	6.61	7.87	9.13	11.69	2.00	9.49	11.10	1.97	4.41	7.78	164	0.16