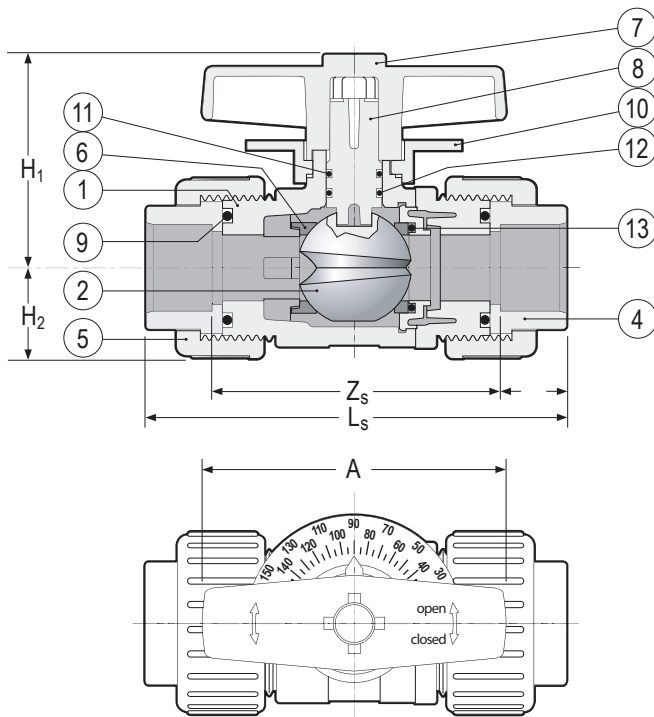


# SM Series Metering Ball Valves



## PARTS

No.	Part*	Pcs.	Materials
1	Body	1	PVC, PP
2	Ball	1	PVC, PP
4	End Connector	1	PVC, PP
5	Union Nut	1	PVC, PP
6	Ball Seat	1	PTFE
7	Handle	2	PVC, PP
8	Stem	1	PVC, PP
9	Face O-Ring	2	EPDM, FPM(Viton <sup>®</sup> )
10	Indicator Plate	2	PVC, PP
11	Upper Stem O-Ring	2	EPDM, FPM(Viton <sup>®</sup> )
12	Lower Stem O-Ring	2	EPDM, FPM(Viton <sup>®</sup> )
13	Seat Cushion	2	EPDM, FPM(Viton <sup>®</sup> )

## DIMENSIONS INCHES

Size	PVC					PP				
	A	Z <sub>s</sub>	L <sub>s</sub>	H <sub>1</sub>	H <sub>2</sub>	A	Z <sub>s</sub>	L <sub>s</sub>	H <sub>1</sub>	H <sub>2</sub>
1/2"	3.07	2.76	4.02	2.05	0.81	3.07	2.76	3.86	2.05	0.90
3/4"	3.46	3.23	4.72	2.44	1.00	3.46	3.23	4.45	2.44	1.10
1"	3.86	3.43	5.16	2.80	1.14	3.86	3.35	4.76	2.80	1.30
1-1/4"	4.25	3.86	5.91	3.23	1.42	4.25	3.82	5.43	3.23	1.55

## WORKING PRESSURES PSI

## NET WEIGHTS LB.

## C<sub>v</sub> VALUES

Size	PVC			PP				PVC	PP	USGPM Flow at 1 psi ΔP
	20°C 68°F	40°C 104°F	60°C 140°F	20°C 68°F	40°C 104°F	60°C 140°F	80°C 176°F			
1/2"	230	130	30	145	100	65	20	0.35	0.29	1.4
3/4"	230	130	30	145	100	65	20	0.60	0.44	1.9
1"	230	130	30	145	100	65	20	0.84	0.64	2.3
1-1/4"	230	130	30	145	100	65	20	1.50	1.04	3.4

Temperature Ranges: PVC 0 to 60°C (32 to 140°F), PP 0 to 95°C (32 to 203°F).

## ORDERING EXAMPLE

Chemline SM Series Ball Valve				SM	A	010	T
Valve Material	A - PVC		B - PP				
Size	005 - 1/2"	007 - 3/4"	010 - 1"	012 - 1-1/4"			
Ends	S - Socket	T - Threaded	CF - ChemFlare™				

Example: SM Series Ball Valve, PVC, 1", threaded ends.

## VACUUM RATING

- 29.9 inches mercury

## OPTIONS & ACCESSORIES

- Flanged Ends