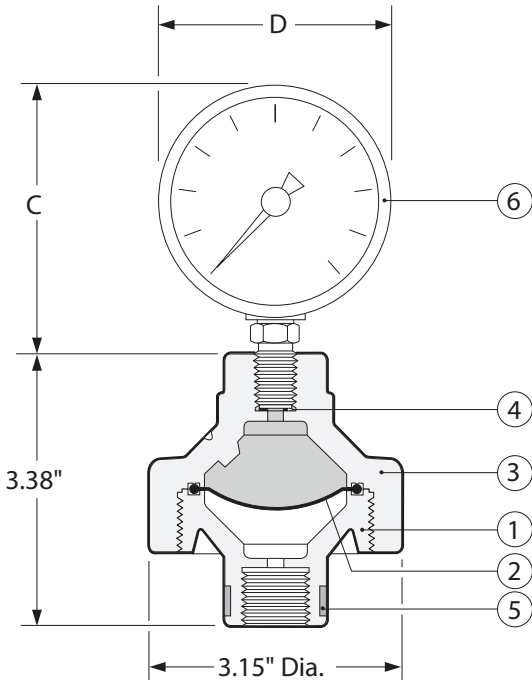


Gauge Isolators



PARTS

▲ Recommended Spare Parts

No.	Part	Pcs.	Materials
1	Body	1	PVC, PP, PVDF
2▲	Diaphragm	1	Teflon * PTFE
3	Bonnet	1	PPG
4	Gasket	1	EPDM
5	Stainless Steel Band	1	304 SS
6	Optional Gauge	1	See below

PPG = Glass reinforced polypropylene

OPTIONS & ACCESSORIES

- Gauge mounted to isolator and prefilled with glycol, glycerine or special fluid for chlorine applications
- Flanged inlet connections
- Chemline will mount any pressure instrument supplied free issue by customer

OPTIONAL GAUGES

Dials and cases are filled with either glycol (standard), glycerine or silicon for corrosion resistance and dampening. "Internals" are Bourdon tube and connector.

DIMENSIONS INCHES

Gauge Diameter	Item No.	Gauge Connection	Housing	Bourdon Tube	Window	Accuracy	Dimensions	
							C	D(max.)
2-1/2"	P025-xx	1/4"	316 SS	Brass	Polycarbonate	±1.5% of span	3.1	2.5
2-1/2"	P025-xx-SS	1/4"	316 SS	316 SS	Polycarbonate	±1.5% of span	3.1	2.5
2-1/2" Back Mount	P025-xx-SS/BM	1/4"	316 SS	316 SS	Polycarbonate	±1.5% of span	1.6	2.5
2-1/2" Back Mount	P025-xx-BM	1/4"	316 SS	Brass	Polycarbonate	±1.5% of span	1.6	2.5
4"	P040-xx-SS	1/2"	316 SS	316 SS	Safety Glass	±1% of span	4.5	4.0
4-1/2"	P045-xx-SS	1/2"	PBTP Plastic ¹	316 SS	Acrylic	±0.5% of span	6.3	5.8

xx denotes the maximum gauge pressure i.e., 30, 60, 100, 160 or 200 psi. See data page for recommended working pressures.

¹ PBTP = glass filled polyester.

WORKING PRESSURES PSI

Material	10 - 20°C	30°C	40°C	50°C	60°C	70°C	80°C	90°C	100°C	120°C	Net Weights Pounds*
	50 - 68°F	86°F	104°F	122°F	140°F	158°F	176°F	194°F	212°F	248°F	
PVC	150	100	80	45	15	-	-	-	-	-	1.0
PP	150	125	100	80	65	45	-	-	-	-	0.7
PVDF	150	150	150	125	105	85	70	60	45	30	1.3

Temperature Ranges - PVC: -10 to 60°C (14 to 140°F), PP: 8 to 80°C (46 to 176°F), PVDF: -30 to 120°C (-22 to 248°F).

NR = Not Recommended. * Weights are for unfilled 1/2" x 1/2" isolators without gauges. 1/2" x 1/4" isolators are 20% lighter.

WEIGHTS

ORDERING EXAMPLE

Chemline Gauge Isolator	SG	A			005-	002	P	G
Body Material	A - PVC B - PP K - PVDF							
Inlet Size	002 - 1/4"		005 - 1/2"(Standard)					
Instrument Connection	002 - 1/4"		005 - 1/2"					
Diaphragm	P - Teflon * PTFE bonded EPDM							
Filling & Mounting	G - Add only if isolator is supplied filled with glycol and gauge or pressure instrument is mounted by Chemline. Separate gauge item numbers are listed above.							

Example: Chemline SI Series Gauge Isolator. PVC. 1/2" x 1/4" FNPT inlet x instrument connections. Teflon