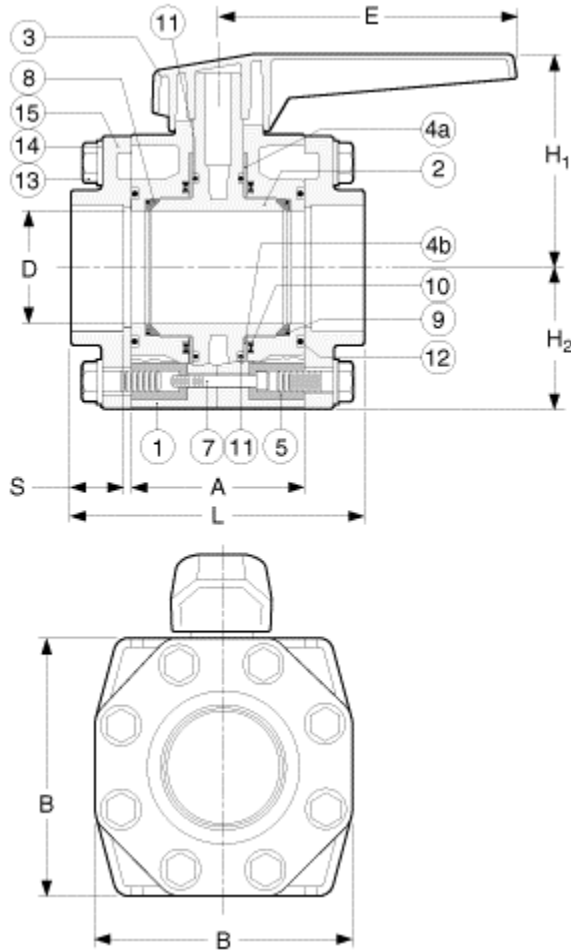


HC HIGH CAPACITY 6" BALL VALVES DATASHEET
LARGE SIZE COMPACT BALL VALVES DATASHEET

HC HIGH CAPACITY 6" BALL VALVES



No	Part	Material
1	Split Body	PVC,PP,PVDF
2	Ball/Stem Unit	PVC,PP,PVDF
3	Handle	PVC
4a	Stem Bearing	Teflon PTFE
4b	Trunion Bearing	Teflon PTFE
5	Hex Retainer Lug	304 SS
7	Body Retainer Bolt	304 SS
8a	Ball Seat	Teflon PTFE
9	Seat Cushion	EPDM, Viton
10	Body & Stem Seal	EPDM, Viton
11	Stem & Trunion Ring	EPDM, Viton
12	Body Face O Ring	EPDM, Viton
13	End Piece Retainer Bolt	304 SS
14	Washer	304 SS
15	Socket End Piece	PVC,PP,PVDF

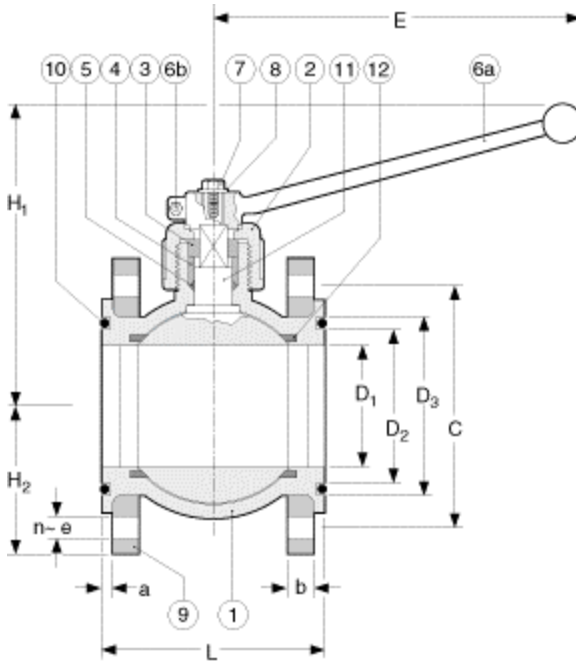
DIMENSIONS inches

Size	Material	D	S	L	L	L	A	B	E	H ₁	H ₂
		Bore	Socket	Socket	Flanged	Butt					
6 in	PVC	5.3	3.4	15.2	22.4	-	8.0	10.6	12.2	8.3	5.3
	Polypropylene	5.3	-	-	19.8	12.8	8.0	10.6	12.2	8.3	5.3
	PVDF	5.1	-	-	19.8	12.8	8.0	10.6	12.2	8.3	5.3
8 in	PVC	5.3	C.F.	C.F.	25.2	-	8.0	10.6	12.2	8.3	5.3
	Polypropylene	5.3	-	-	c.F.	-	8.0	10.6	12.2	8.3	5.3
	PVDF	5.1	-	-	C.F.	-	8.0	10.6	12.2	8.3	5.3

WORKING PRESSURES psi

Size	PVC			Polypropylene			PVDF				
	0°C - 40°C 32° F - 104°F	50°C 122° F	60°C 140° F	0°C - 40°C 32° F - 104°F	60°C 140° F	80°C 176° F	-40°C to 70°C -40° F to 158°F	80°C 176° F	90°C 194° F	100°C 212° F	120°C 248° F
6 in	85	45	15	85	60	30	85	75	60	45	30
8 in	85	45	15	85	60	30	85	75	60	45	30

LARGE SIZE COMPACT BALL VALVES



No	Part	Material
1	Body	PVC
2	Gland Nut	PVC
3	Travel Stop	PVDF
4	Gland	PVC
5	Stem O Ring	Viton, EPDM
6a	Hand Lever	Aluminum Alloy
6b	HL Tightening Bolt	304 SS
7	HL Retaining Hex Bolt	304 SS
8	Hand Lever Washer	PVC
9	Flange	GRP
10	Face O Ring	EPDM, Viton
11	Ball Stem	PVC Steel
12	Ball Seat	PTFE, CSM

DIMENSIONS inches

Size	D ₁	D ₂	D ₃	C	E	H ₁	H ₂	L	a	b	e	n
4 in	3.67	4.52	5.23	7.5	10.8	8.7	4.3	6.57	0.28	0.87	0.77	8
6 in	5.92	6.76	7.46	9.5	12.2	11.2	5.6	10.51	0.35	1.06	0.88	8

WORKING PRESSURES psi

Size	20°C 68°F	30°C 86° F	40°C 104° F	50°C 122° F	60°C 140° F	USGP Flow at 1 psi diff
4 in	150	115	85	45	15	1565
6 in	85	85	85	45	15	1880